

AccuMic™ Extension Kit

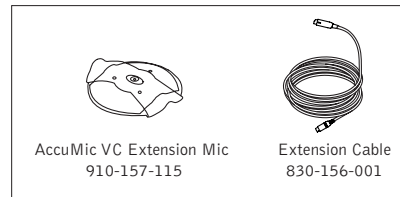
Audio Conferencing

Packing list

You should have received:

- AccuMic™ Extension Mic
- Extension Cable

AccuMic VC Extension Kit



AccuMic PC Extension Kit

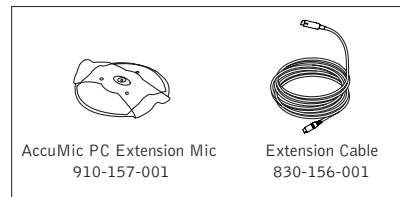


Figure 1. Unpacking items

Note: Both the AccuMic VC and AccuMic PC extension microphones connect in the same manner. However, do not connect an AccuMic VC extension microphone to an AccuMic PC. The AccuMic VC is not compatible with the AccuMic PC and will not work properly.

To connect the AccuMic Extension Mic

1. Disconnect the first AccuMic from its electrical power source.
2. Connect one end of the 10' (3 meter) mini-DIN cable that comes with the AccuMic extension kit to the 8-pin connector on the first AccuMic.
- Note:** Do not attempt to connect the extension cable to the 10-pin connector on the extension AccuMic.
3. Connect the other end of the cable to the 8-pin connector on the extension AccuMic.
4. Reconnect the first AccuMic to its electrical power source.
5. Place the mic pads a suitable distance apart on the conference table to accommodate meeting participants.

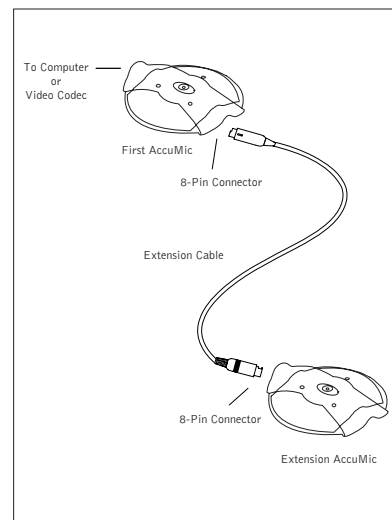


Figure 2. Connecting a second AccuMic

AccuMic™ Extension Kit

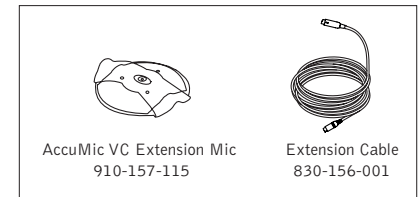
Audio Conferencing

Packing list

You should have received:

- AccuMic™ Extension Mic
- Extension Cable

AccuMic VC Extension Kit



AccuMic PC Extension Kit

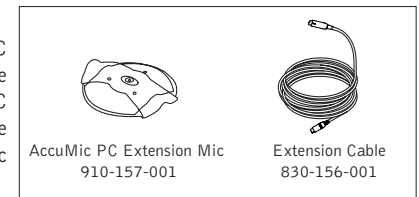


Figure 1. Unpacking items

Note: Both the AccuMic VC and AccuMic PC extension microphones connect in the same manner. However, do not connect an AccuMic VC extension microphone to an AccuMic PC. The AccuMic VC is not compatible with the AccuMic PC and will not work properly.

To connect the AccuMic Extension Mic

1. Disconnect the first AccuMic from its electrical power source.
2. Connect one end of the 10' (3 meter) mini-DIN cable that comes with the AccuMic extension kit to the 8-pin connector on the first AccuMic.
- Note:** Do not attempt to connect the extension cable to the 10-pin connector on the extension AccuMic.
3. Connect the other end of the cable to the 8-pin connector on the extension AccuMic.
4. Reconnect the first AccuMic to its electrical power source.
5. Place the mic pads a suitable distance apart on the conference table to accommodate meeting participants.

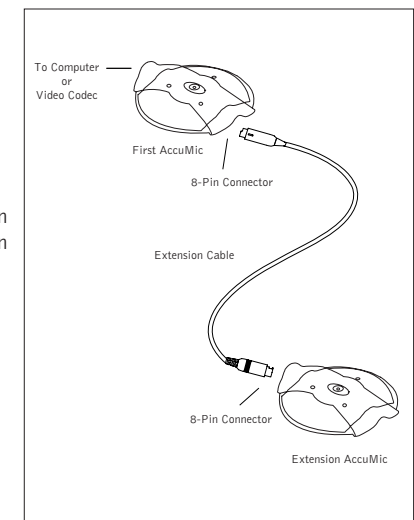


Figure 2. Connecting a second AccuMic